

# Chevrolet Traverse

Wheelchair Accessible SUV by BraunAbility®



**MOST SPACIOUS ACCESSIBLE  
SUV IN THE INDUSTRY!**

The all-new BraunAbility Chevrolet Traverse blends the rugged style and swagger of an SUV with the space and maneuverability of a wheelchair accessible minivan.







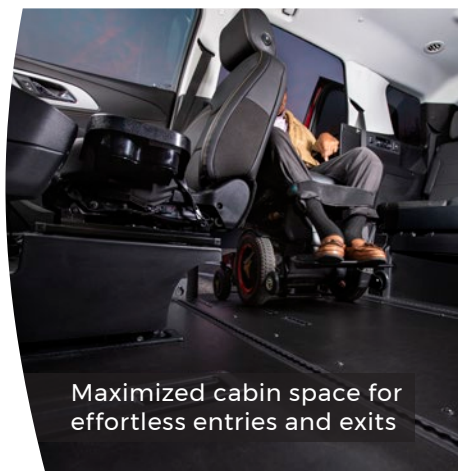
## BRAUNABILITY® POWER INFLOOR BUILT ON THE CHEVROLET TRAVERSE

Built for the wheelchair passenger and driver, the BraunAbility Traverse is the ultimate wheelchair accessible SUV, expertly engineered and fully-powered with plenty of room for friends, family and fun.

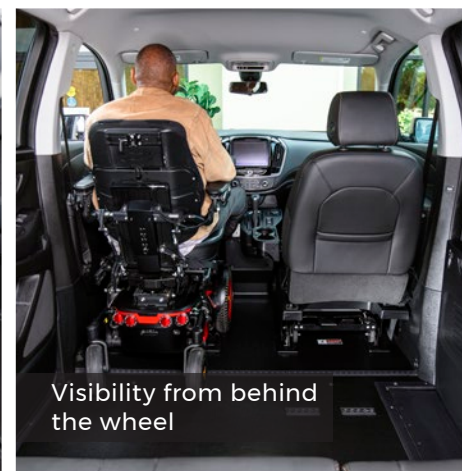
- Most spacious accessible SUV in the industry
- Power in-floor ramp stows beneath the vehicle's floor, maximizing cabin space
- 1,000 lb, heavy-duty ramp capacity
- Spacious cabin for effortless maneuvering
- Drive from your wheelchair or the driver's seat (transfer seat capable)
- Ramp and doorway accommodates even the largest power chairs
- Lighted ramp for easy navigating in the dark
- Seats three 3rd row passengers comfortably
- Seats up to 7 passengers, with an option for 4 wheelchairs (seating options may vary depending on available payload)



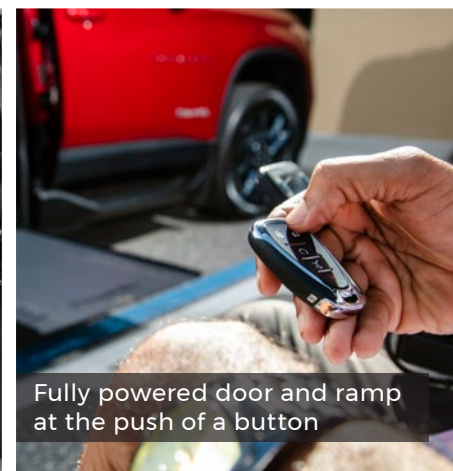
Extra-wide ramp and doorway width to fit even the largest power wheelchairs



Maximized cabin space for effortless entries and exits



Visibility from behind the wheel



Fully powered door and ramp at the push of a button





## SPACIOUS STYLE

Mr. Barnes is a husband, a father, a grandfather and a veteran. At over six feet tall, he needs a vehicle with plenty of room to travel in comfort and style. That's what he gets with the BraunAbility Traverse - the space and swagger to keep him smiling.

 BraunAbility®



# A PREMIUM ACCESSIBLE SUV WITH ROOM FOR YOU AND ALL YOUR GEAR

## ROOM FOR WHAT MATTERS

Room for you and all you want to do - the BraunAbility Traverse is equipped with all the space and storage you need to live a life on the go.



**STEP-AND-ROLL SEATING** makes it easy to remove front seats for added seating flexibility and room for up to four wheelchairs.



**LIGHTED RAMP** for easier navigating in darkness.



**REAR BENCH SEAT** folds flat for extra cargo space.



**SLIDING SHIFTER** slides side-to-side for extra space when you need it.



**HIDDEN CONSOLE** for extra storage and extra USB ports.



**OPTIONAL TOWING PACKAGE**





## SMILES FOR MILES

Between work and school drop-offs, the Carstens family is always on the go.

They need room for two busy daughters, whether the day calls for a wheelchair or a walker or both. No need to lift or lower a ramp -- the Carstens have an accessible SUV that opens at the push of a button. They get all that and more with the BraunAbility Traverse.



Room for two wheelchair users in the mid-row





**VOTED #1 QUALITY & SAFETY**

BraunAbility has engineered independence to the highest standards for nearly 50 years. When considering a mobility vehicle, remember what you can't see matters. A solid foundation with no shortcuts - that's the BraunAbility way.

**Industry's Only Fully Stainless Steel Exhaust System** - Prevents rust and corrosion. Secured and reinforced for function and service. Protected and mounted as far from the ground as possible for less exposure to everyday impacts.

**Custom-Made Fuel Lines and Hoses** - New lines made to fit the wheelchair accessible floor with mating connections to fit the original manufacturer's vehicle. Designed for maximum safety and performance over the total life of your vehicle.

**State-of-the-Art Brake Line System** - New brake lines and fittings installed and properly routed for corrosion prevention and reliability.

**New Wiring and Connectors** - No stretching or retrofitting wires and no cutting corners. New Tier-One sourced wiring harness with factory-original connectors.



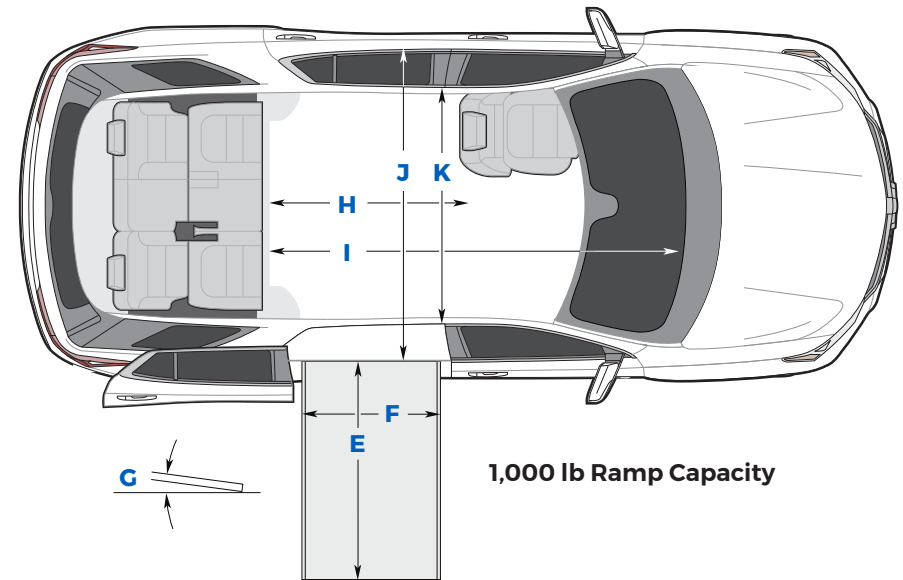
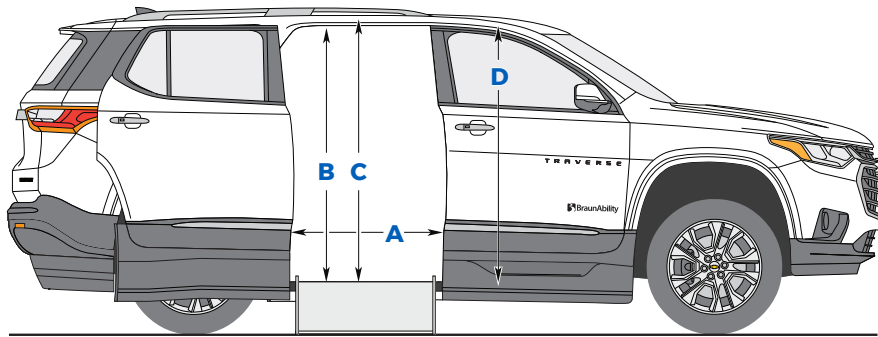
## Industry-Leading Safety Standards

BraunAbility is #1 in Safety - the most certified wheelchair accessible vehicle manufacturer in the industry!

Every BraunAbility vehicle is required to pass each of the following tests to ensure our customers' safety: FMVSS 208: Occupant Crash Protection, FMVSS 301: Fuel System Integrity, FMVSS 214: Side Impact Protection

BraunAbility is certified by NMEDEA's Manufacturer Quality Assurance Program (MQAP), guaranteeing the safety and reliability of modified vehicles and mobility equipment.





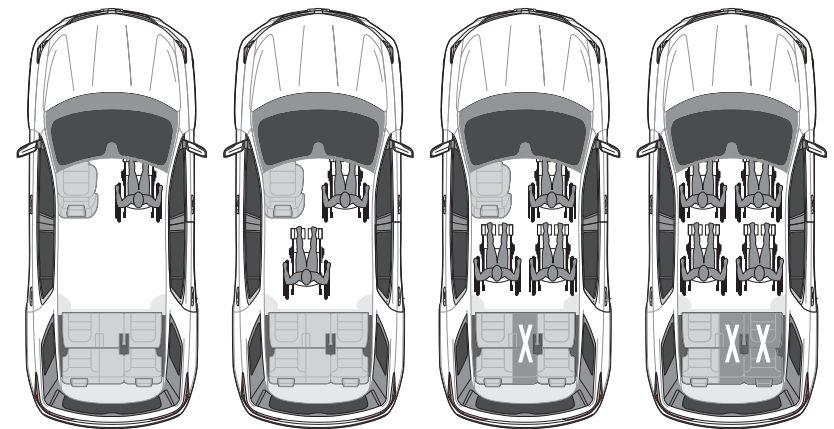
1,000 lb Ramp Capacity

**BRAUNABILITY®**  
**POWER INFLOOR**  
**BUILT ON THE CHEVROLET TRAVERSE**

**DIMENSIONS**

All dimensions are for reference only.

|  |          |                       |
|--|----------|-----------------------|
| Door Opening Usable Width                          | <b>A</b> | <b>30.5"</b>          |
| Door Opening Usable Height (at Middle of Door)     | <b>B</b> | <b>54.5"</b>          |
| Interior Height at Center of Vehicle               | <b>C</b> | <b>59"</b>            |
| Interior Height at Driver and Passenger Position*  | <b>D</b> | <b>58"</b>            |
| Ramp Length  | <b>E</b> | <b>52"</b>            |
| Ramp Width (Usable Clear Opening)                  | <b>F</b> | <b>30.25"</b>         |
| Ramp Angle (Kneeled)**                             | <b>G</b> | <b>9°</b>             |
| Interior Floor Length (Behind Front Seat Strikers) | <b>H</b> | <b>57"</b>            |
| Overall Interior Floor Length (Flat Area)          | <b>I</b> | <b>90.25"</b>         |
| Interior Width at Passenger Doors (Closed - Open)  | <b>J</b> | <b>61.5" - 64.25"</b> |
| Interior Width at B Pillars                        | <b>K</b> | <b>57"</b>            |



Seats up to 7 passengers, with an option for 4 wheelchairs.  
 Seating options may vary depending on available payload.

Due to manufacturing tolerances both with the OEM vehicle and the conversion components, all dimensions may vary slightly from those shown.

\* Deduct 1" off of interior height for applications with moon roof

\*\* Ramp angle subject to 1.5 degree variance based on chassis trim level and other environmental factors - measured with a 250 lb approximated wheelchair passenger load at the center of the ramp





## THE MOST TRUSTED BRAND IN MOBILITY\*

BraunAbility is ranked #1 in quality, value and service in the mobility industry.\* That's why the professionals at the forefront of helping our customers recommend our products.



- Mobility service technicians choose BraunAbility 8:1 over the next closest competitor as the brand they would buy for a family member.\*
- Over 92% of mobility service technicians voted BraunAbility as the Most Trusted Name in Mobility.\*
- When it comes to overall product quality, 86% of mobility service technicians agreed that BraunAbility leads the mobility industry.\*



*\*Based on 2016 Dealer Service Technician Study*

800.488.0359 | [braunability.com](http://braunability.com)



© 2020 BraunAbility. All rights reserved. All illustrations, descriptions and specifications in this brochure are based on the latest product information at the time of publication. BraunAbility reserves the right to make changes at any time without notice. 511200



### ON THE MOVE

Between quad rugby, wheelchair basketball, and representing organizations that keep injured veterans moving and active, Navy Veteran Lindstrom needs a comfortable ride with room for all his essential cargo.