

BraunAbility®

2018 Product Application Guide • 1-29-18



DODGE POWER FOLDOUT XT

Dodge Power Foldout XT Talking Points

Built on the Dodge RT platform, the BraunAbility Dodge Power Foldout XT is the culmination of over forty years experience in building personal mobility products. Style, performance, convenience and safety have been aesthetically blended to achieve a new level of refinement in a wheelchair-accessible minivan.

Strong Exterior Lines – The muscular contours of the latest Dodge chassis creates a SUV feel while maintaining the spaciousness of a minivan.

Refined and Spacious Interior - Take a look inside and you'll see the lines of this BraunAbility conversion offer the smoothest contours and the most polished interior space of any conversion, now with increased space in the front driver and passenger spaces.

Better Head Clearance, Better Visibility - The 56.5" door height provides a full four inches of head clearance over the standard Power model. Inside the van, customers will appreciate up to 61" of head clearance-- the best-in-class!-- for greater comfort and visibility.

Manual Chair-Friendly Ramp Angle - The newly designed kneeling system reduces the slope of the ramp to a wheelchair-friendly 7.5 degrees. This makes the Dodge Power XT especially attractive for those in manual wheelchairs.

Comfortable Rear Fold-Down Footrest – A BraunAbility-designed footrest adds some extra comfort and convenience for backseat passengers and folds away automatically.

Suspension and Ride - We've made only minor modifications to the rear suspension during the conversion process, giving a smooth ride that's as close to OEM as possible. Only OEM suspension components are used, and the trailing arms are not modified.

Lowered Floor Area - There's more room to maneuver than ever with 57" from the rear wall to front seats and 62" from b-pillar to b-pillar. Custom-molded lower trim panels and front seat bases provide a clean fit and finish.

Step-and-Roll Front Seats - Removing the front seats has never been easier -- just step on the foot lever and roll the seat out of the van.

OEM Materials - This conversion utilizes the OEM fuel tank, as well as fuel and A/C lines provided by OEM Tier One suppliers.

Crash-Tested & Compliant - The Power XT was vigorously tested for FMVSS electronic stability control and brake testing and also passed all front, side and 50-mph rear crash tests.

Award-Winning, High-Powered Engine - Dodge's 3.6 L Pentastar V6 engine gives drivers a high-powered boost of horsepower, torque and improved fuel efficiency.



Dodge Power Foldout XT Features

Dodge Power Foldout XT ► 2013-2016 Chrysler Town and Country 2013-2018 Dodge Grand Caravan

See back of this guide for vehicle requirements.



◀ **Lowered Floor**

The floor is lowered from the toe pan to the rear axle and provides a choice of three wheelchair securement positions.

◀ **Automatic Door**

The OEM Dodge power door operator opens the sliding door at the touch of a button.



◀ **Automatic Ramp**

The lightweight power foldout ramp offers unparalleled ease of access for wheelchair and scooter users.

◀ **Custom Ground Effects with Integrated Step**

Adds stylish lines and enhances smooth OEM appearance.



◀ **Automatic Kneeling Rear Suspension**

The vehicle features a kneeling system to make boarding even easier. An actuator lowers the rear suspension while the door opens, which reduces the slope of the automatic ramp. The system can be de-activated when desired with the on/off switch.

Integrated Keyfob Remote ►

Control of the vehicle's accessible features is built into the Dodge keyfob remote. Quick-touch operation assures simple, convenient and reliable operation. Two keyfobs are included with the vehicle. Additional keyfob optional.

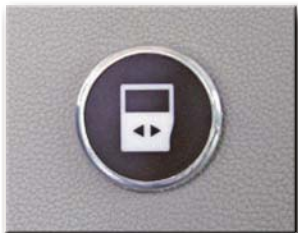


◀ **Fold-Down Footrest**

Adds comfort for backseat passengers and folds away automatically.

◀ **OEM-Style Switches**

Operational switches are conveniently located throughout the interior for wheelchair users' convenience. The switches match the OEM style and appearance.



"Step & Roll" Front Passenger Seats ►

The driver and passenger seats can be easily removed to provide wheelchair securement positions in the front of the vehicle.



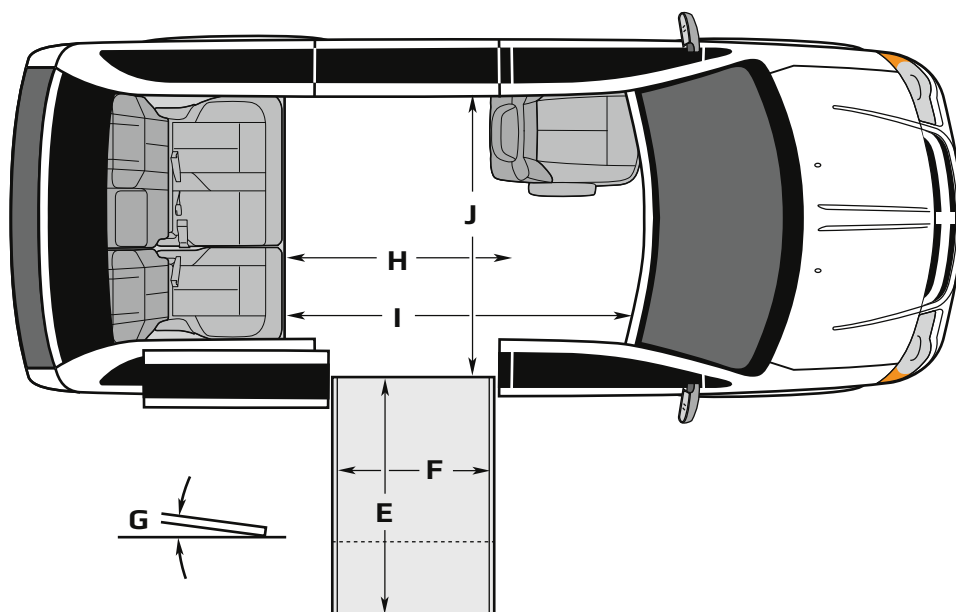
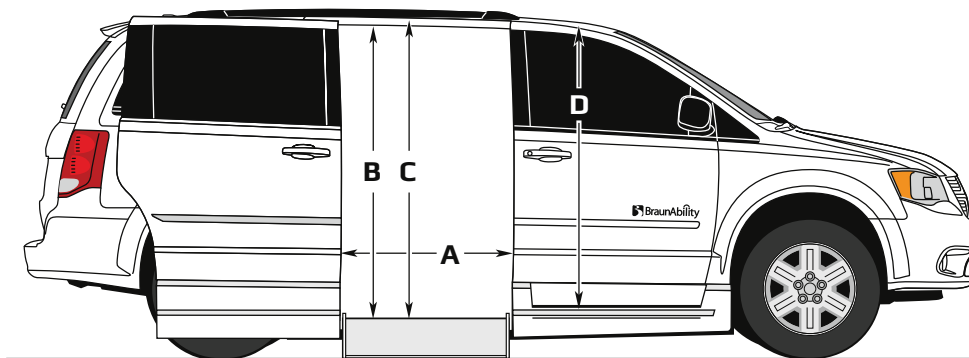
◀ **Rear Cargo Area**

An under-floor storage compartment keeps essentials out of your way until needed.

Wheelchair/Occupant Securement System

One belt system is included for use with the floor-mounted tracks.

Dodge Power Foldout XT Dimensions



All dimensions are for reference only.

		Foldout Ramp
Door Opening Usable Width (Slide Door)	A	31.5"
Door Opening Usable Height (Slide Door)	B	56.5"
Interior Height at Center of Van*	C	61"
Interior Height at Driver and Passenger Position**	D	60"
Ramp Length	E	52"
Ramp Width (Usable Clear Opening)	F	29.25"
Ramp Angle (with Vehicle Kneeled)***	G	9.6°
Interior Floor Length (Behind Front Seats)	H	57"
Overall Interior Floor Length (Flat Area)	I	87.5"
Interior Width at B Pillars	J	62"

Due to manufacturing tolerances both with the OEM vehicle and the conversion components, all dimensions may vary slightly from those shown.

* Deduct 2.5" off of Interior Height for Applications with Overhead DVD/Rail System

** Deduct 3.25" off of Interior Height for Applications with Moon Roof

*** Ramp angle subject to 1.5 degree variance based on chassis trim level and other environmental factors - measured with a 250 lb approximated wheelchair passenger load at the center of the ramp

Dodge Power Foldout XT Options

Available factory installed at time of order, or for ship-out (unless otherwise noted).

Rubber Flooring

Substitute rubber flooring in lieu of carpet.

**(NOT AVAILABLE FOR SHIP-OUT - FACTORY INSTALLED)
(MUST BE ORDERED PRIOR TO PRODUCTION)**

**NOT AVAILABLE
FOR SHIP-OUT
FACTORY INSTALLED**

E51740KN

OEM Load Leveling Suspension

Required on vehicles without Load Leveling (SER)

E51343K-13N

OEM Power Door Operator (With Power Window)

For chassis not equipped with OEM Power Door Operator (cannot add to 2018 Dodge - must be equipped)

E51379K-13N

OEM Power Door Operator (With Fixed Window)

For chassis not equipped with OEM Power Door Operator (cannot add to 2018 Dodge - must be equipped)

E51516KN

Power Folding Rear Seat Kit

Required for Power Folding Rear Seats



◀ **E51328KS**

Extra Wheelchair/Occupant Securement System - with Bag

Includes four wheelchair tie-downs, one lap belt/shoulder harness connector and bag. One system is included standard.



◀ **E50430ANKS**

EZ Lock Tie-Down Mounting Plate

Allows for mounting of EZ Lock Tie-Down in vehicle, bolts to weld nuts already in floor assembly.



◀ **33774NKS**

Multi Piece Chest and Waist Belt

Interfaces with standard and optional wheelchair securement systems to facilitate proper occupant restraint with a wide variety of wheelchair configurations.



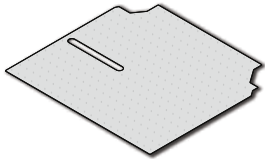
◀ **E51346K___KS** **Overhead Rail Delete Kit - Interior Color**

Allows for removal of OEM overhead storage rail for increased headroom down the center of vehicle. New low profile interior panel is color matched to OEM interior. Specify color. **(DEALER INSTALLED ONLY)**

Continued

Dodge Power Foldout XT Options

Available factory installed at time of order, or for ship-out (unless otherwise noted).



◀ **E51243**

Protective Carpet Mat with Track Cutout

Clear plastic mat protects carpet from traffic wear.



◀ **26558**

Retractable Securement Belts

Deluxe Kit, with Tensioning Knobs (4)



◀ **E51058KS**

Rigid Cable Extension for Lap Belt/Shoulder Harness

Connects to floor-mounted tie-down track, stands rigid for use with lap belt/shoulder harness.

E50709A_S-08KS Striker Covers (Pair)

Covers seat strikers when seat is not used.

Kit includes two covers for one seating position.

Vehicle Information

2018 Dodge must be equipped with OEM power sliding door. Cannot be added.

Vehicle must be equipped with OEM Load Leveling Suspension (SER) (can be added - see pricing page).

Vehicles equipped with power folding rear seat require a power folding rear seat kit (see pricing page).

Before ordering or drop-shipping a vehicle, we strongly recommend contacting BraunAbility for guidance in deriving payload capacities and selecting equipment and seating options before you purchase the vehicle.

BraunAbility will only convert 2013-2016 Chrysler Town & Country and 2013-2018 Dodge Grand Caravan with 50,000 or less miles. Vehicle must be in sound condition and must never have been involved in an accident. All vehicles are inspected and subject to acceptance/rejection upon arrival at the BraunAbility plant.

BraunAbility Drop Ship Code 16323

Safety has always been a top priority at BraunAbility. The Dodge Power Foldout XT has been crash tested and certified to meet or exceed all applicable requirements of the Federal Motor Vehicle Safety Standards (FMVSS) and is backed by our 3 year/36,000 mile limited and 5 year/unlimited mile rust-through metal protection on every vehicle that leaves the factory. Add to this the original Dodge warranty for unconverted parts and a nationwide dealer network, and you can rest assured BraunAbility will be there to support you no matter where your travels take you.



braunability.com

800.THE.LIFT

ISO 9001:2008

631 West 11th Street, Winamac, IN 46996, USA