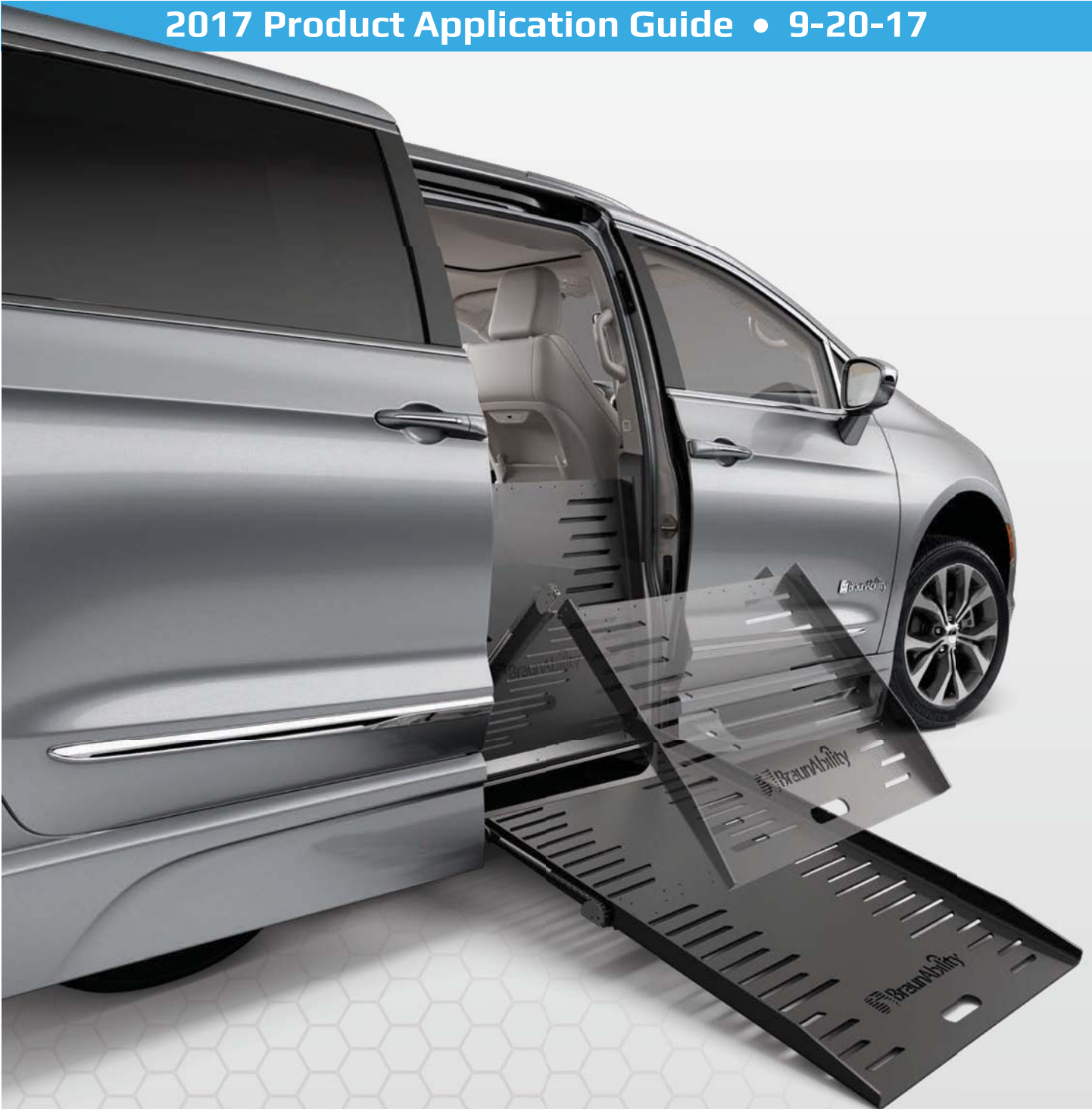




2017 Product Application Guide • 9-20-17



CHRYSLER PACIFICA POWER FOLDOUT XT

Chrysler Pacifica Power Foldout XT Features



BraunAbility® has designed a foldout Pacifica that offers more entry and cabin space than any other accessible vehicle on the market. Combined with the functionality and sophisticated styling of the industry's most awarded minivan, it's no wonder that this is the most anticipated accessible vehicle launch in mobility history.

MOTORTREND

"BraunAbility Chrysler Pacifica is the Ultimate Handi-Van" 2/10/17

Detroit Free Press
PART OF THE USA TODAY NETWORK

"New BraunAbility Pacifica Most Spacious for Wheelchair Users" 2/9/17

JALOPNIK

"Chrysler debuted the new BraunAbility Chrysler Pacifica, and believe me when I say it's big news for drivers or family members with disabilities." 2/10/17

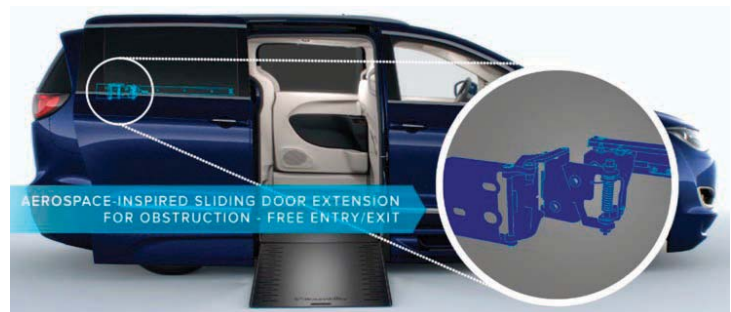
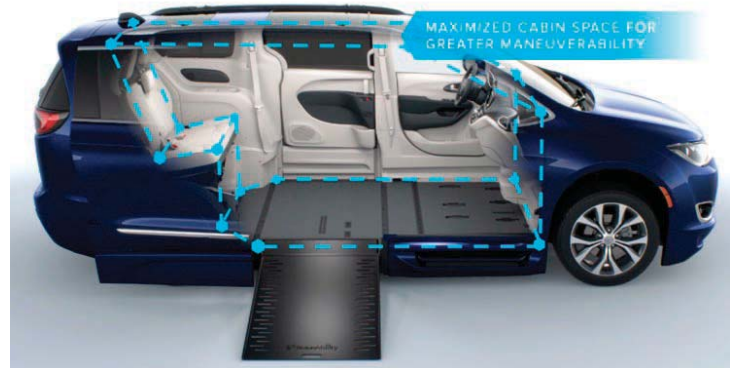
Chrysler Pacifica Power Foldout XT Features

AccessAbility™

Every inch of entry and cabin space in the BraunAbility Pacifica has been maximized with patent-pending AccessAbility™ technology, guaranteeing superior maneuverability and improved ease of entry for wheelchairs of all sizes. AccessAbility™ highlights include:

- **Aerospace-inspired sliding door extension** for maximum doorway space, an additional five inches of width over OEM
- **30.125" ramp width**
- **32.375" door width**
- **1000 lb ramp weight capacity**
- **57" door height (middle) - 56.25" to airbag** exceeds ADA standards to accommodate the tallest wheelchairs and wheelchair users
- **Rear-axle technology expands cabin space** for an additional 10 inches of floor length over the Town & Country predecessor
- **Advanced metals and high-strength steels** reduce overall vehicle weight

- **Cantilevered, removable seat bases** for improved turning radius within cabin and added seating flexibility



Chrysler Pacifica Power Foldout XT Features

- **Out-of-sight, full-width footrest** that stows without compromising cabin space like the competition



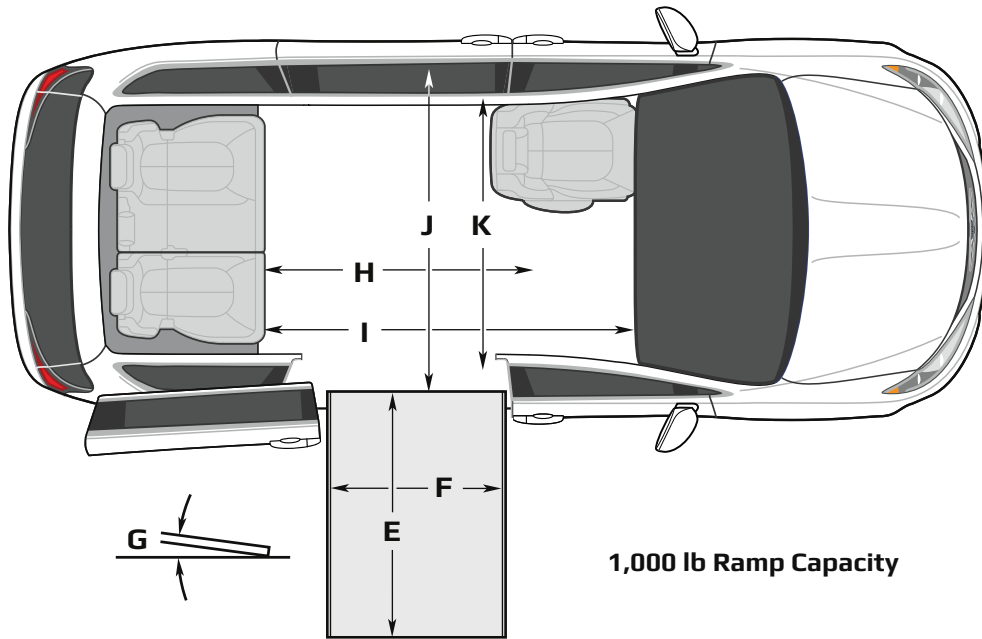
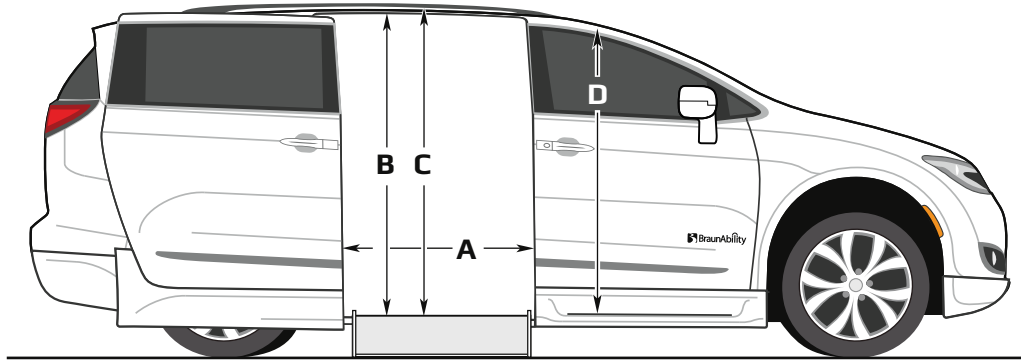
- **All-new theater-style lighting package** illuminates cabin, ramp, and step flares



- Sound-absorbing Quiet Drive™ technology and rattle-proof exhaust design
- Parts and components sourced from Chrysler suppliers to ensure vehicle integrity
- Tow package available
- Integrated key fob remote for quick-touch operation of door and ramp systems
- Automatic kneeling system which can be deactivated if needed by accessing convenient on/off switch
- OEM-inspired, removable cup holders
- Equivalent OEM Pacifica fuel efficiency
- Wheelchair securement system



Chrysler Pacifica Power Foldout XT Dimensions



All dimensions are for reference only.

		Foldout Ramp
Door Opening Usable Width	A	32.375"
Door Opening Usable Height 1) at Middle of Door 2) at Airbag	B	1) 57" 2) 56.25"
Interior Height at Center of Vehicle*	C	60"
Interior Height at Driver and Passenger Position**	D	60"
Ramp Length	E	52"
Ramp Width (Usable Clear Opening)	F	30.125"
Ramp Angle (with Vehicle Kneeled)***	G	8.6°
Interior Floor Length (Behind Front Seat Strikers)	H	71"
Overall Interior Floor Length (Flat Area)	I	98.5"
Interior Width at Slide Doors (Ramp Folded - Doors Closed)	J	64"
Interior Width at B Pillars	K	62.25"

Due to manufacturing tolerances both with the OEM vehicle and the conversion components, all dimensions may vary slightly from those shown.

* Deduct 2.5" off of interior height for applications with overhead DVD/rail system

** Deduct .5" off of interior height for applications with moon roof

*** Ramp angle subject to 1.5 degree variance based on chassis trim level and other environmental factors - measured with a 250 lb approximated wheelchair passenger load at the center of the ramp

Chrysler Pacifica Power Foldout XT Options

Rubber Flooring

Substitute rubber flooring in lieu of carpet.

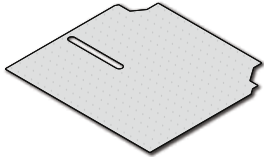
(NOT AVAILABLE FOR SHIP-OUT - FACTORY INSTALLED)
(MUST BE ORDERED PRIOR TO PRODUCTION)



◀ 502744NKS

Extra Wheelchair/Occupant Securement System - with Bag

Includes four wheelchair tie-downs, one lap belt/shoulder harness connector and bag. One system is included standard.



◀ 504969

Protective Carpet Mat with Track Cutout

Clear plastic mat protects carpet from traffic wear.



◀ 26558

Retractable Securement Belts

Deluxe Kit, with Tensioning Knobs (4)



◀ 502745

Rigid Cable Extension for Lap Belt/Shoulder Harness

Connects to floor-mounted tie-down track, stands rigid for use with lap belt/shoulder harness.

505155NKS

Striker Covers (Pair)

Covers seat strikers when seat is not used.
Kit includes two covers for one seating position.

Vehicle Information

Vehicle must have power sliding door - no power door upgrades available.

Before ordering or drop-shipping a vehicle, we strongly recommend contacting BraunAbility for guidance in deriving payload capacities and selecting equipment and seating options before you purchase the vehicle.

BraunAbility will only convert 2017-2018 Chrysler Pacificas with 50,000 or less miles. Vehicles must be in sound condition and must never have been involved in an accident. All vehicles are inspected and subject to acceptance/rejection upon arrival at the BraunAbility plant.

BraunAbility Drop Ship Code 16323

Safety has always been a top priority at BraunAbility. The Chrysler Pacifica Power Foldout XT has been crash tested and certified to meet or exceed all applicable requirements of the Federal Motor Vehicle Safety Standards (FMVSS) and is backed by our 3 year/36,000 mile limited and 5 year/unlimited mile rust-through metal protection on every vehicle that leaves the factory. Add to this the original Chrysler warranty for unconverted parts and a nationwide dealer network, and you can rest assured BraunAbility will be there to support you no matter where your travels take you.



braunability.com

800.THE.LIFT

ISO 9001:2008

631 West 11th Street, Winamac, IN 46996, USA

© 2017 BraunAbility. All rights reserved. All illustrations, descriptions and specifications in this brochure are based on the latest product information at the time of publication. BraunAbility reserves the right to make changes at any time without notice.

